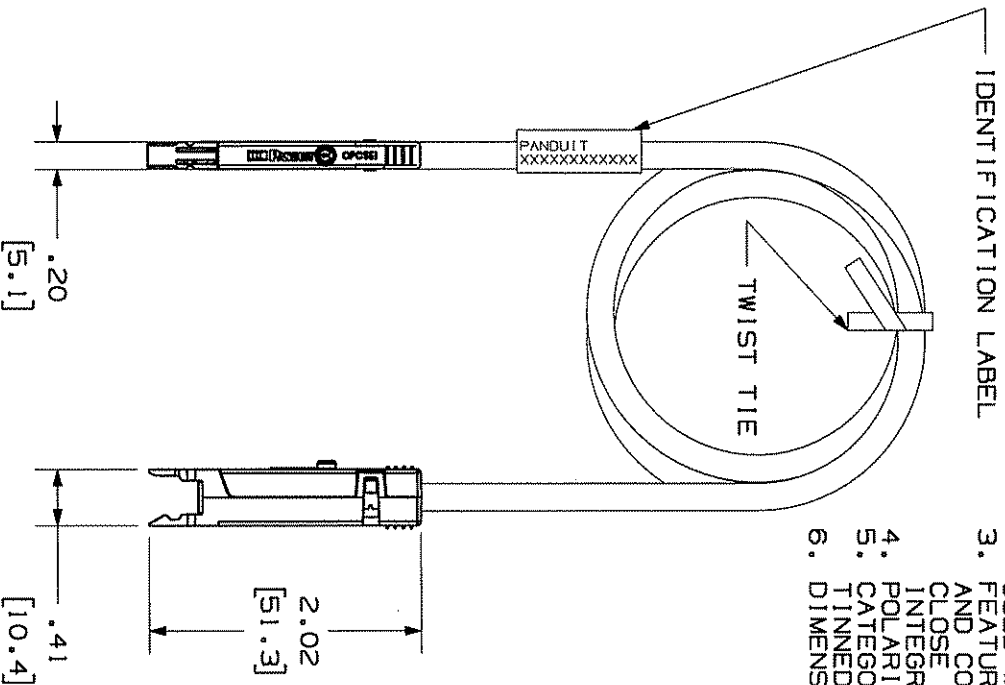


THIS COPY IS PROVIDED ON A RESTRICTED BASIS AND IS NOT TO BE USED IN ANY WAY DETRIMENTAL TO THE INTERESTS OF PANDUIT CORP.

NOTES:

1. SEE CURRENT CATALOG FOR VARIOUS APPLICATIONS AND TO INDICATE PACKAGE QUANTITY.
2. GIGA-PUNCH CONNECTORS ON BOTH ENDS. THE PATCH CORDS CAN BE USED WITH GIGA-PUNCH CONNECTING BLOCKS.
3. FEATURES INCLUDE A CLEAR CAP TO ENSURE PROPER WIRE SEQUENCE AND CONNECTOR ORIENTATION. RETAINING CLIPS SECURE THE JACKET CLOSE TO THE POINT OF TERMINATION WHICH MINIMIZES WIRE UNTWISTING.
4. INTEGRAL STRAIN RELIEF MINIMIZES STRESS ON WIRES DURING DISCONNECTION.
5. POLARIZED TO PREVENT REVERSE INSTALLATION TO CONNECTOR BLOCK.
6. CATEGORY 3 UNSHIELDED TWISTED PAIR CABLE WITH 24AWG STRANDED TINNED COPPER CONDUCTOR.



CONTACT	CABLE WIRE COLOR
1	WHITE/BLUE
2	BLUE

REV	DATE	BY	CHK	DESCRIPTION	ECN	CHK	CUST	SUP
R	3-18-06	TA	TA	RELEASED TO PRODUCTION	02479-287	TA	TA	

CAD FILENAME/LAYERS
M02479KZ_DC287_00B.PRT

PANDUIT
CORP. TINLEY PARK, ILLINOIS

1 PAIR GIGA-PUNCH™ PATCHCORD
GPPC11GXXY CUSTOMER DRAWING

UNLESS OTHERWISE SPECIFIED, DIMENSIONAL TOLERANCES ARE:
(.XX) ± .010(1.31)
(.XXX) ± .010(1.31)
(.XXX) ± .03(1.81) ANGLES ±

UNLESS OTHERWISE SPECIFIED, ALL DIMENSIONS ARE GIVEN IN INCHES, THIRD ANGLE PROJECTION.

DRAWN BY: TA
DATE: 3-18-06
SCALE: NONE

DESIGNED BY: TA
DATE: 3-18-06
SCALE: NONE

02479-287
SHEET 1 OF 2

DWG SIZE: A

THIS COPY IS PROVIDED ON A RESTRICTED BASIS AND IS NOT TO BE USED IN ANY WAY DETRIMENTAL TO THE INTERESTS OF PANDUIT CORP.

PANDUIT P/N	MIN. CABLE LENGTH	WEIGHT
GPCC11G3Y	3 FT.	.462 LB/10 PCS (209.6 g/10 PCS)
GPCC11G5Y	5 FT.	.683 LB/10 PCS (309.8 g/10 PCS)
GPCC11G7Y	7 FT.	.881 LB/10 PCS (399.6 g/10 PCS)
GPCC11G9Y	9 FT.	1.057 LB/10 PCS (479.5 g/10 PCS)
GPCC11G14Y	14 FT.	1.476 LB/10 PCS (669.5 g/10 PCS)
GPCC11G20Y	20 FT.	1.960 LB/10 PCS (889.0 g/10 PCS)
GPCC11G1MY	1 METER	.505 LB/10 PCS (229.2 g/10 PCS)
GPCC11G2MY	2 METER	1.010 LB/10 PCS (458.4 g/10 PCS)
GPCC11G3MY	3 METER	1.516 LB/10 PCS (687.7 g/10 PCS)
GPCC11G5MY	5 METER	2.526 LB/10 PCS (1146.1 g/10 PCS)

REV	DATE	BY	CHK	DESCRIPTION	ECN	CHK	CUST	SUP
R	3-18-06	TA		RELEASED TO PRODUCTION	02479-287		2.42	

CAD FILENAME/LAYERS: M02479KZ_DC287_00B.PRT

PANDUIT
CORP. TINLEY PARK, ILLINOIS

1 PAIR GIGA-PUNCH™ PATCHCORD
GPCC11GXYY CUSTOMER DRAWING

UNLESS OTHERWISE SPECIFIED, DIMENSIONAL TOLERANCES ARE: (.XX) ± .010(.3)

UNLESS OTHERWISE SPECIFIED, ALL DIMENSIONS ARE GIVEN IN INCHES, THIRD ANGLE PROJECTION.

DATE: 3-18-06
DRAWN BY: TA
CHECKED BY: [Signature]

MAT'L: NONE

SCALE: NONE

DWG NO.: 02479-287
SHEET 2 OF 2

DWG SIZE: A